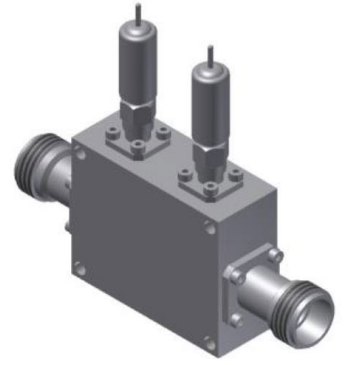


# Bi-Directional Coupling Detector

## Model - SA-06-06

Rev. - C

Bi-Directional Detector. It can measure, detect and output the forward/reverse power data of the load under test.

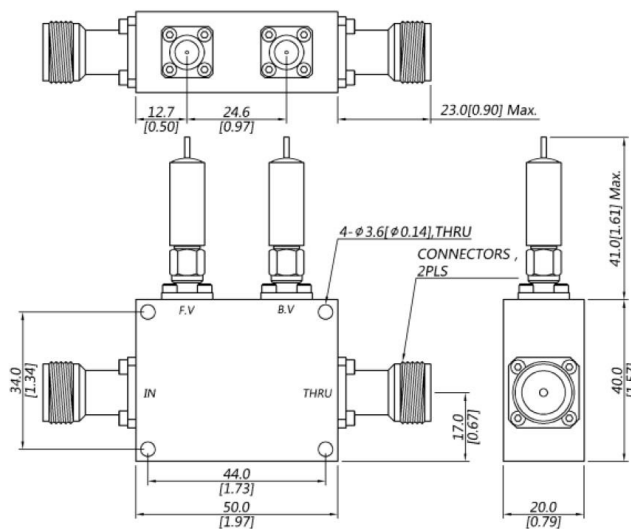


# MiCable

- Frequency Range: 6-18GHz;
- Forward detection voltage:  $1.2 \pm 0.2V$  (100W CW);
- Detection voltage flatness:  $\leq 15\%$ ;
- Temperature change rate:  $\leq \pm 2.5\%$  (-50~+55°C);
- Main Line VSWR:  $\leq 1.4$ ;
- Insertion Loss:  $\leq 0.5dB$ ;
- Coupling:  $\leq 37 \pm 1dB$ ;
- Directivity:  $\geq 10dB$ ;
- CW Power: 200W;
- Dimension: 50x40x20mm;
- Connector Type: TYPE N[F], I.A.W. IEC 61169;
- Surface Coating: Nickel plating, I.A.W ISO 4527;

Electrical & Mechanical Specifications

Note3- Unit: mm , Unless otherwise specified,  $x \pm 1.0$  .xx  $\pm 0.50$  Holes:  $\pm 0.3$  All specifications are subject to change without notice at any time



2D Outline Drawing